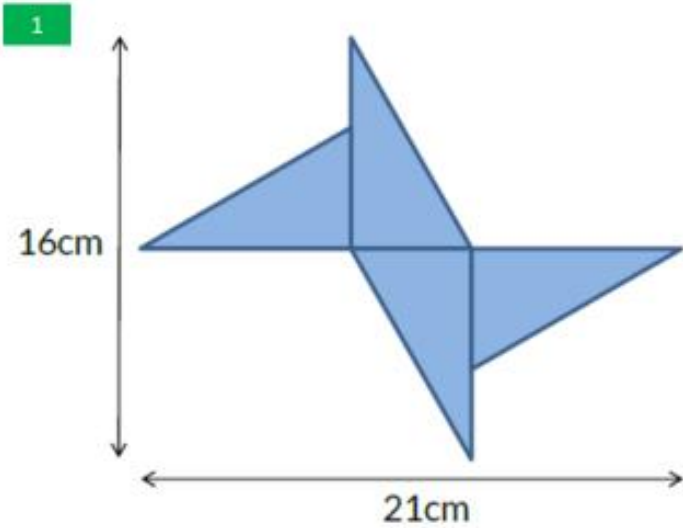
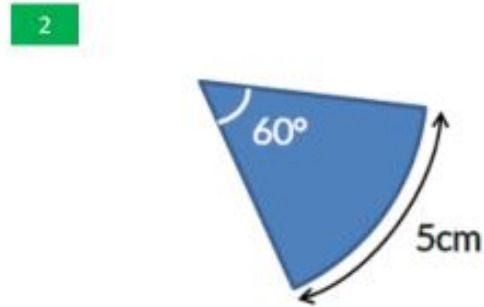


A logo is made up of four congruent triangles.



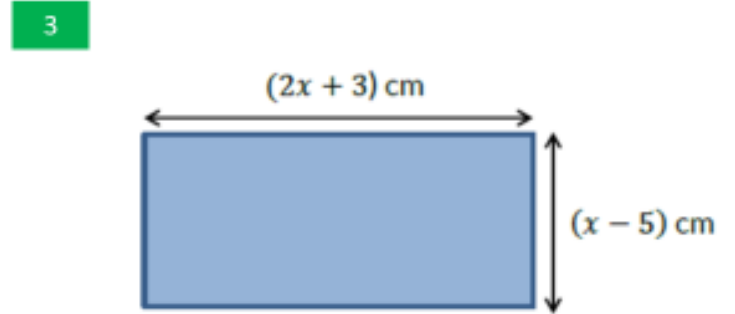
Find the area of one of the triangles.

The arc length of this sector is 5cm.



Find the perimeter of the sector.

Give your answer to 3 significant figures.



The perimeter of this rectangle is 44cm.

Find the value of x

5 Mr Drake asked his class how many cats and dogs they own.

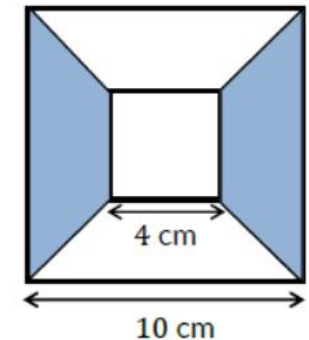
The results are shown in the two way table.

		Number of dogs			
		0	1	2	3
Number of cats	0	8	2	2	1
	1	3	4	0	0
	2	2	1	1	0
	3	0	1	0	0

What fraction of the class own more cats than dogs?

Can you write your answer as a percentage?

6 The diagram shows two squares.



The large square has a length 10cm.

The small square has a length of 4cm.

Find the area of the shaded region.

4

Max is saving to buy a computer game that costs £26

He saves 5p, 10p and 50p coins in a jar.

The ratio of 5p to 10p to 50p coins is 2 : 5 : 1

There are 120 coins in the jar.

How much more does he need to save?